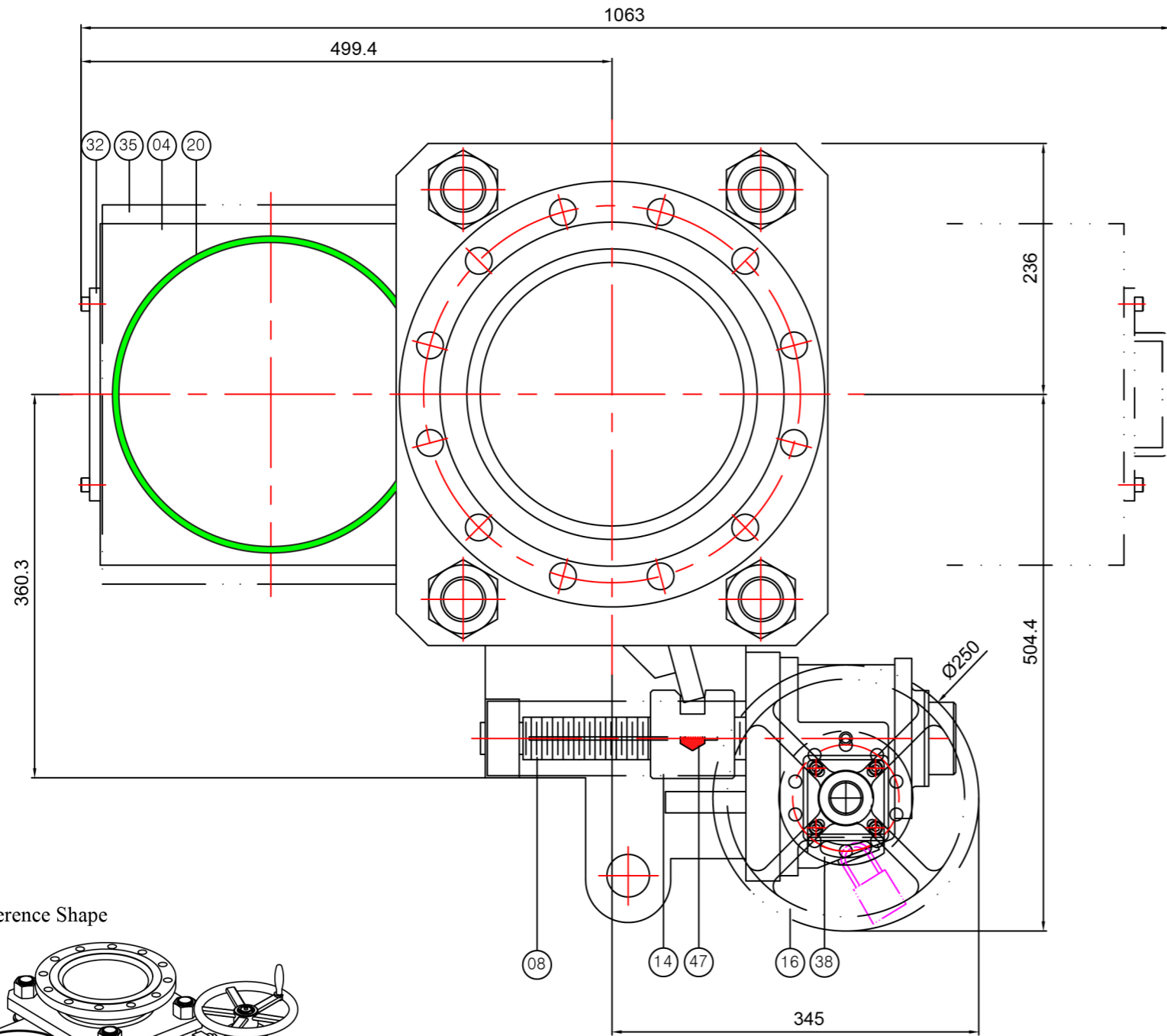
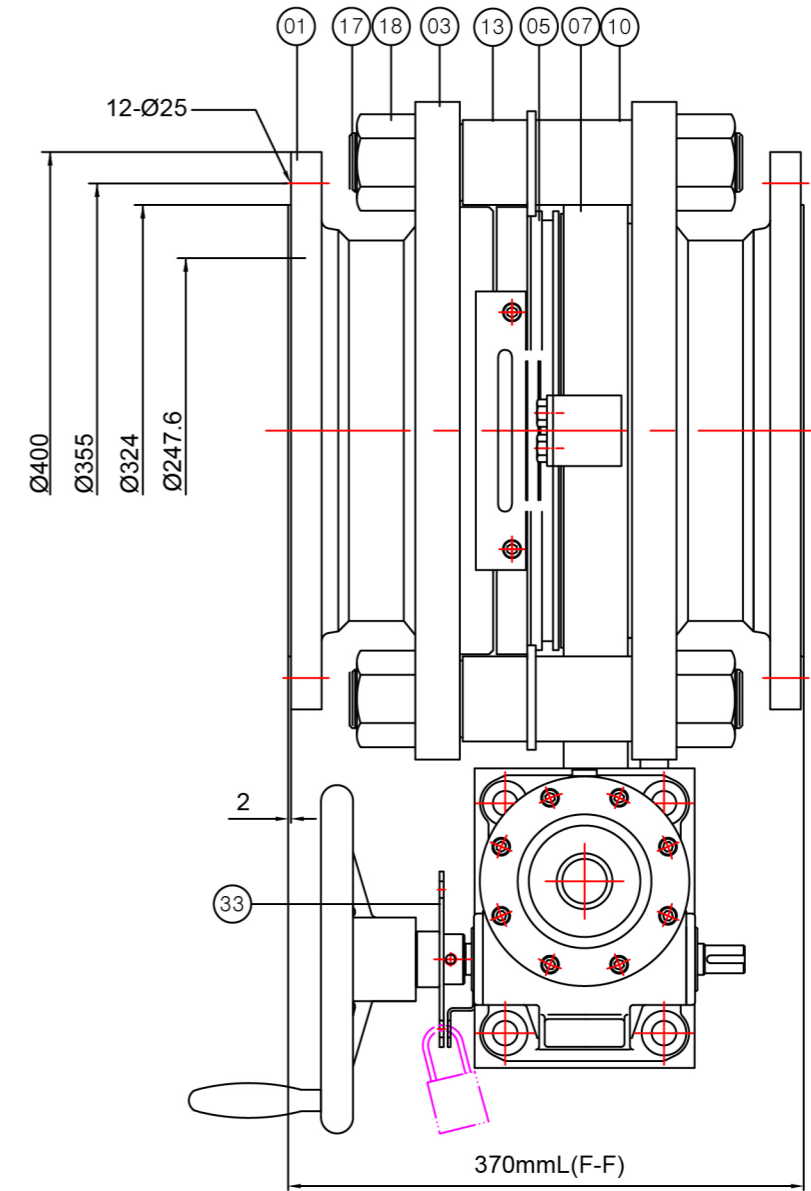
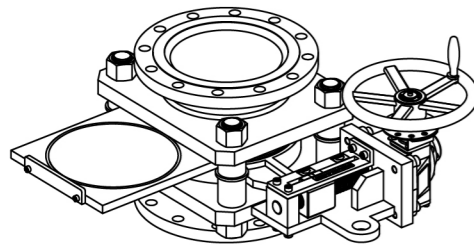


| RevNo | Revision note | Date | Signature | Checked |
|-------|---------------|-------------|-----------|---------|
| 00 | First issue | Feb.13.2024 | N.H.Kim | K.J.Kim |

LINE BLIND
TYPE : SLIDING
SIZE : 250A
PRESSURE RATING : JIS 10K
QTY : 1



3D Reference Shape



Design Note

Media : -
Operation : Hand Wheel + Wormgear
Pressure Rating : JIS 10K
End Connection : JIS B 2220-2004, Flanged RF
Design Pressure : 10 kg/cm²
Design Temperature : Ambient
Seat Hyd. Test : 11 kg/cm²
Shell Hyd. Test : 15 kg/cm²
F-F Dimension : 370 mm
*Gasket : Viton O-ring (Hardness Shore A 70)

Specification Of Compliance

Material : ASME Sec. II
Flange : JIS B2220-2004
Body : ASME B16.34
Stream Plate : ASME Sec. VIII Div.1 App.2
Blind : ASME B31.1 para 304.5.3
Welding Qualifications : ASME Sec. IX
Inspection and Test : ASME B16.34

| No. | PART NUMBER | PART NAME | MATERIAL | Q'TY | REMARK | No. | PART NUMBER | PART NAME | MATERIAL | Q'TY | REMARK |
|-----|-----------------|----------------|-----------|------|------------|-----|-----------------|---------------|-------------|------|--------------------|
| | | | | | | 16 | SL10C150M126WH | HAND WHEEL | SA126-B | 1 | O.D. 250mm |
| 47 | SL10C150304ID | INDICATOR | SA240-304 | 1 | | 14 | SL10C150M103TN | TRAVELING NUT | SB-103 | 1 | |
| 38 | SL10C150SJ56 | Wormgear Ass'y | P | 1 | | 13 | SL10C150M1045PU | GUIDE ROLLER | SA276-304 | 4 | |
| 35 | SL10C150PCCO | O-RING COVER | SA240-304 | 1 | | 10 | SL10C150M1045YO | YOKE | SA276-304 | 4 | |
| 33 | SL10C150M12LO | LOCKING DEVICE | SA276-304 | 1 | | 08 | SL10C150M304SC | SCREW SHAFT | SA276-304 | 1 | |
| 32 | SL10C150M304EP | END PLATE | SA276-304 | 1 | | 07 | SL10C150M304GE | GEARSET | SA240-304 | 1 | |
| 23 | SL10C150MPTFEWI | WIPER | GRAPHITE | 1 | | 05 | SL10C150M304SE | SEAT | SA240-304 | 1 | |
| 22 | SL10C150MFKMOR | SEAT O-RING | FKM | 1 | AS568A-450 | 04 | SL10C150M304BL | BLIND PLATE | SA240-304 | 1 | |
| 20 | SL10C150MFKMOR | BLIND O-RING | FKM | 4 | AS568A-451 | 03 | SL10C150M516ST | STREAM PLATE | SA240-304 | 2 | |
| 18 | SL10C150M2HNU | HEX.NUT | SA194-8 | 8 | M42-heavy | 02 | SL10C150M106PI | PIPE | SA312-TP304 | 2 | Sch.60 |
| 17 | SL10C150MB7BO | STUD BOLT | SA193-B8 | 4 | M42x282mmL | 01 | SL10C150M105FL | FLANGE | SA182-F304 | 2 | JIS 10K Flanged RF |

| | | | | | | |
|---------------------------|-----------------------------|------------|---------------------------|----------------------|-------------|------------|
| MODEL | SLFX-150 | NAME/CLASS | LINE BLIND (Sliding Type) | DWN | Feb.13.2024 | N.H.Kim |
| SPEC. | SL10-JIS10K-SS304/SS304/FKM | | JIS 10K, 250A | CHKD | Feb.13.2024 | K.J.Kim |
| DRAWING NO. | SLW 240072 | | | APRV | Feb.13.2024 | B.R.Kim |
| SAMMI MACHINERY Co., Ltd. | | Projection | CAD | PROJECT | | N.WEIGHT |
| LINE BLIND SYSTEM | | Dimension | mm | APPROVED BY CUSTOMER | | PAGE |
| | | | | | | abt. 198kg |
| | | | | | | 1/1 |