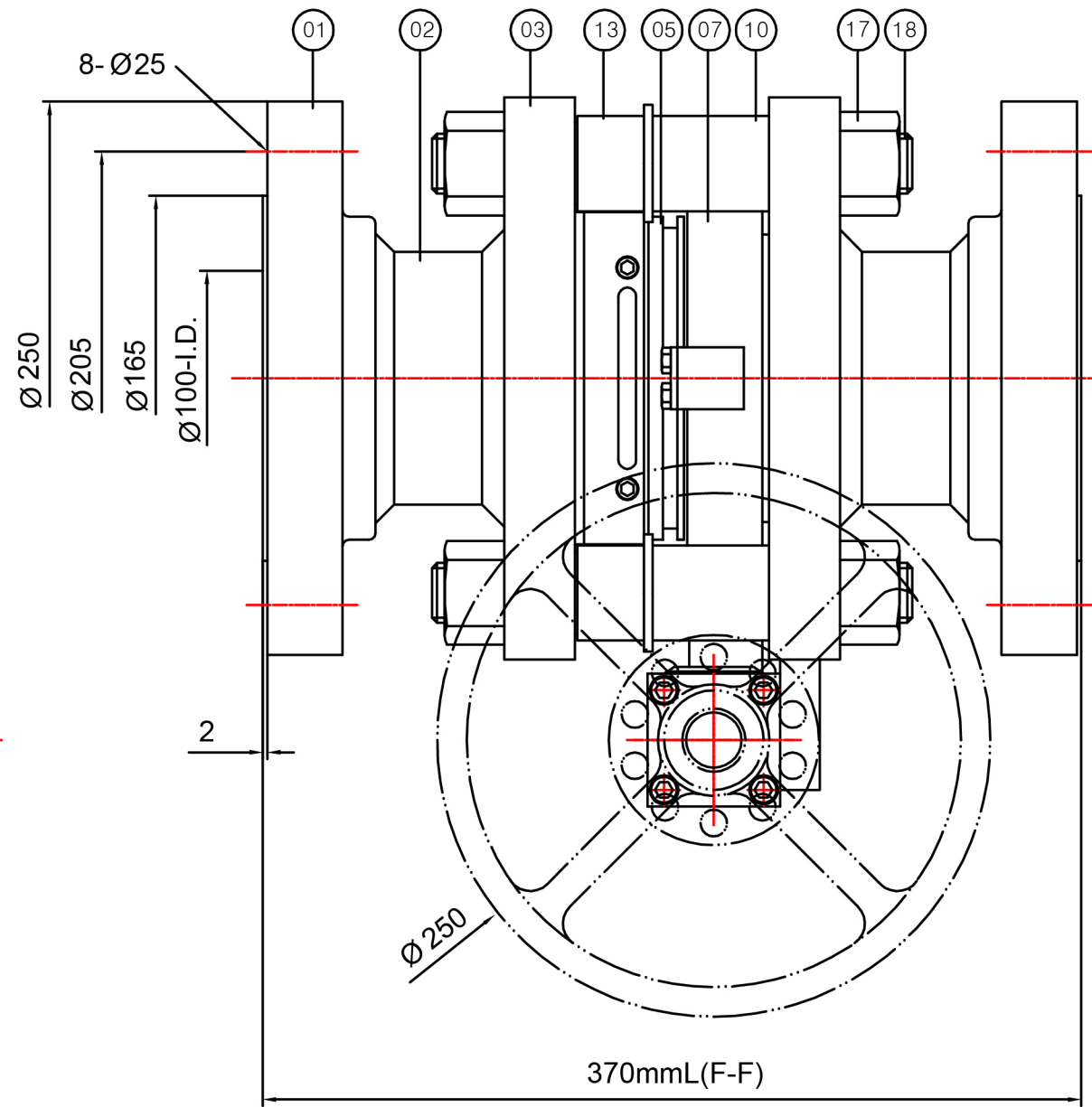
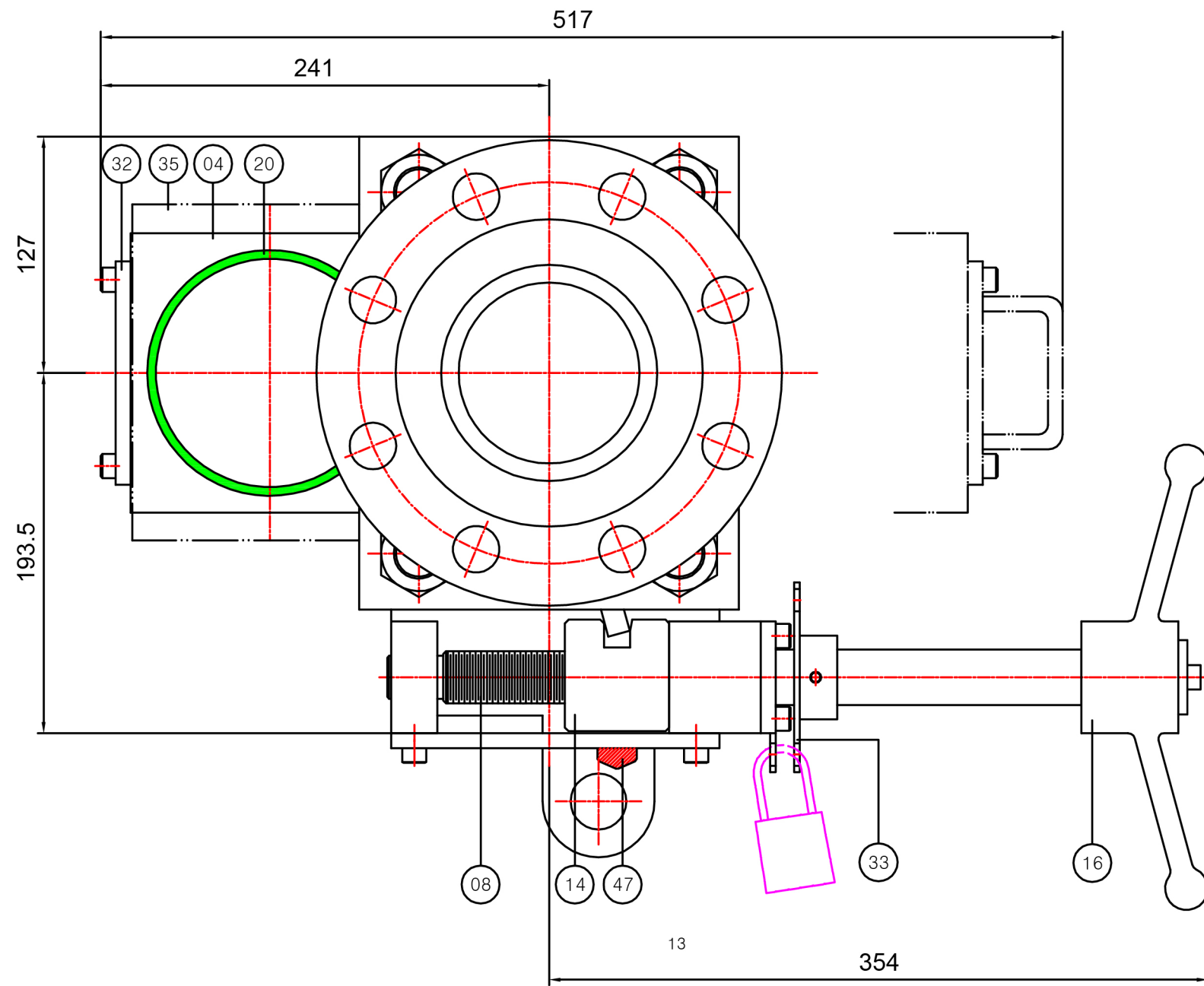
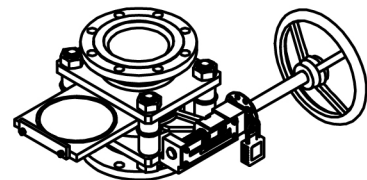


| RevNo | Revision note | Date        | DWN     | Checked |
|-------|---------------|-------------|---------|---------|
| 00    | First issue   | Apr.05.2024 | S.M.Kim | K.J.Kim |

LINE BLIND  
TYPE : SLIDING  
SIZE : 100A  
PRESSURE RATE : JIS 40K  
QTY : 1



3D Reference Shape



Operation : Hand Wheel + Wormgear

**Design Note**

Media : N2  
Operation : Hand Wheel  
Pressure Rate : JIS 40K  
End Connection : JIS B 2220-2012, Flanged RF  
Design Pressure : 40 kg/cm<sup>2</sup>  
Design Temperature : Ambient  
Seat Hyd. Test : 44 kg/cm<sup>2</sup>  
Shell Hyd. Test : 60 kg/cm<sup>2</sup>  
F-F dimension : 370 mm  
\*Gasket : Viton O-ring (Hardness Shore A 70)

**Specification Of Compliance**  
Material : ASME/ASTM/JIS STANDARD  
Flange : JIS B 2220-2012  
Body : ASME B16.34  
Stream Plate : ASME Sec. VIII Div.1 App.2  
Blind : ASME B31.3 para 304.5.3  
Welding Qualifications : ASME Sec. IX  
Inspection and Test : ASME B16.34

|     |                 |                |            |     |            |     |                |               |             |     |                    |
|-----|-----------------|----------------|------------|-----|------------|-----|----------------|---------------|-------------|-----|--------------------|
| 47  | SL04JS40M103ID  | INDICATOR      | SB103      | 1   |            | 14  | SL04JS40M103TN | TRAVELING NUT | SB103       | 1   |                    |
| 35  | SL04JS40M318CO  | GASKET COVER   | SA240-316L | 1   |            | 13  | SL04JS40M304GU | GUIDE ROLLER  | SA276-304   | 4   |                    |
| 33  | SL04JS40M304LD  | LOCKING DEVICE | SA240-304  | 1   |            | 10  | SL04JS40M304YO | YOKE          | SA276-304   | 4   |                    |
| 32  | SL04JS40M304EN  | END PLATE      | SA240-304  | 2   |            | 08  | SL04JS40M304SC | SCREW SHAFT   | SA276-304   | 1   |                    |
| 23  | SL04JS40MGRWI   | WIPER          | GRAPHITE   | 1   |            | 07  | SL04JS40M304GE | GEARSET       | SA240-304   | 1   |                    |
| 22  | SL04JS40MFKMSOR | SEAT O-RING    | FKM        | 1   | AS568A-348 | 05  | SL04JS40M304SE | SEAT          | SA240-304   | 1   |                    |
| 20  | SL04JS40MFKMBOR | BLIND O-RING   | FKM        | 4   | AS568A-351 | 04  | SL04JS40M304BL | BLIND PLATE   | SA240-304   | 1   |                    |
| 18  | SL04JS40MG8NU   | HEXNUT         | SA194-8    | 8   |            | 03  | SL04JS40M304ST | STREAM PLATE  | SA240-304   | 2   |                    |
| 17  | SL04JS40MB8BO   | STUD BOLT      | SA193-B8   | 4   |            | 02  | SL04JS40M304PI | PIPE          | SA312-TP304 | 2   |                    |
| 16  | SL04JS40M126WH  | HAND WHEEL     | SA126-B    | 1   | O.D. 250mm | 01  | SL04JS40M304FL | FLANGE        | SA182-F304  | 2   | JIS 40K Flanged RF |
| No. | PART NUMBER     | PART NAME      | MATERIAL   | QTY | REMARK     | No. | PART NUMBER    | PART NAME     | MATERIAL    | QTY | REMARK             |

|             |                      |            |                |             |             |         |
|-------------|----------------------|------------|----------------|-------------|-------------|---------|
| MODEL       | SLFX-300             | NAME/CLASS | LINE BLIND     | DWN         | Apr.05.2024 | S.M.Kim |
| SPEC.       | SLA-JS40-304/304/FKM |            | (Sliding Type) | CHKD        | Apr.05.2024 | K.J.Kim |
| DRAWING NO. | SLW 240146-Q         |            | JIS 40K, 100A  | APRV        | Apr.05.2024 | B.R.Kim |
|             |                      | Projection | CAD            |             |             |         |
|             |                      | Dimension  | mm             |             |             |         |
|             |                      |            |                | APPROVED BY |             |         |
|             |                      |            |                | CUSTOMER    |             |         |
|             |                      |            |                |             | N.WEIGHT    | PAGE    |
|             |                      |            |                |             | abt. 65kg   | 1/1     |